

# TR800 product brief

The information contained in this manual is subject to modify without notice.

Copyright © 2007-2010

All rights reserved by DigiSpider Inc. This publication contains information that is protected by copyright.

“DS” , “Digispider”, “Dspider” mentioned in this manual all refer to” DigiSpider Inc.

No part of it may be reproduced, transmitted, or translated any language without permission from DigiSpider Inc.

Trademarks as “DS”, “Digispider”, “ Dspider” used in this manual are registered by DigiSpider Inc. Other trademarks and Names mentioned in this manual are belong to the corporation who have registered the trademark or produced the product. DigiSpider Inc.has no patent right for these products.

TR800 Series

Nov. 2010

P/N:

Version:1.0

## TR800 INTRODUCTION

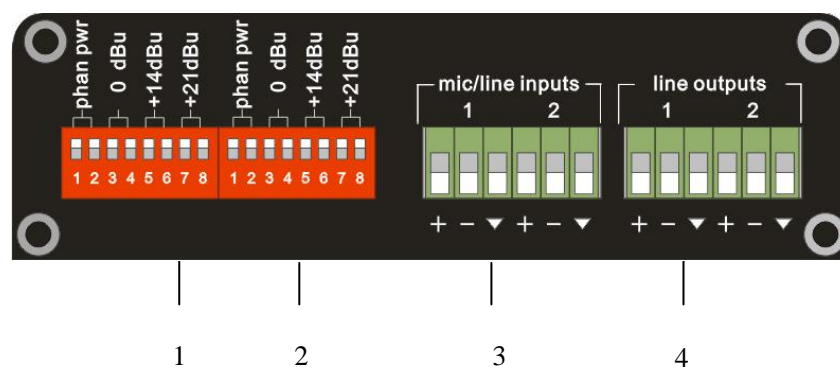
The TR800 can transmit or receive digital audio signals in real time on a CobraNet Ethernet computer network. The audible delay is less than 5-millisecond. The TR800 can carry and utilize control and monitor data such as Simple Network Management Protocol (SNMP) through the same network connection as the audio. The TR800 can be used in Ethernet mode. In Ethernet mode, some TR800 are interconnected by Ethernet switches. The maximum cable length is 100 meters for CAT-5 type wire.

## THE TR800 FEATURES

- Realize audio transmission in real time on CobraNet Ethernet network
- Configuration flexible
- 2 channels analog balanced input
- 2 channels analog balanced output
- All TR800 setup parameters can be stored in flash memory
- Software updatable via RS232 port
- Easy installation

## FRONT PANEL

The front panel's map is as figure shows



### (1) (2)—Input ch1 and input ch2 configure

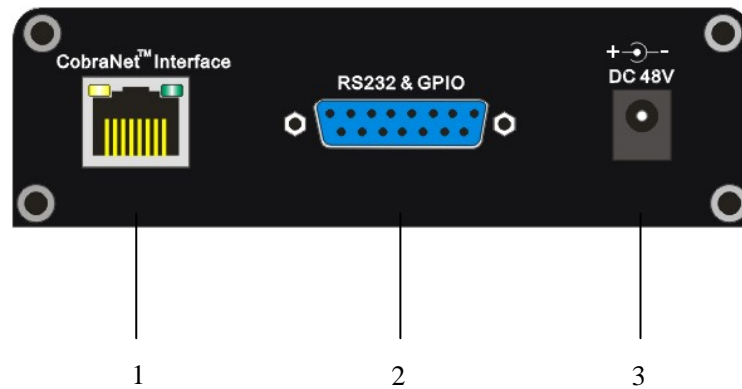
Phantom power selection and maximum input level selection.

(3) —**Audio input port** : two channel mic/line input.

(4) —**Audio output port** : two channel line output.

## REAR PANEL

The rear panel's map is as figure shows



(1) —**CobraNet Interface**

These RJ-45 ports are used to connect the TR800 to the CobraNet networks. Straight 100Base-TX CAT5 Ethernet cables should be used to connect the TR800 to a CobraNet network. Support the PoE power supply.

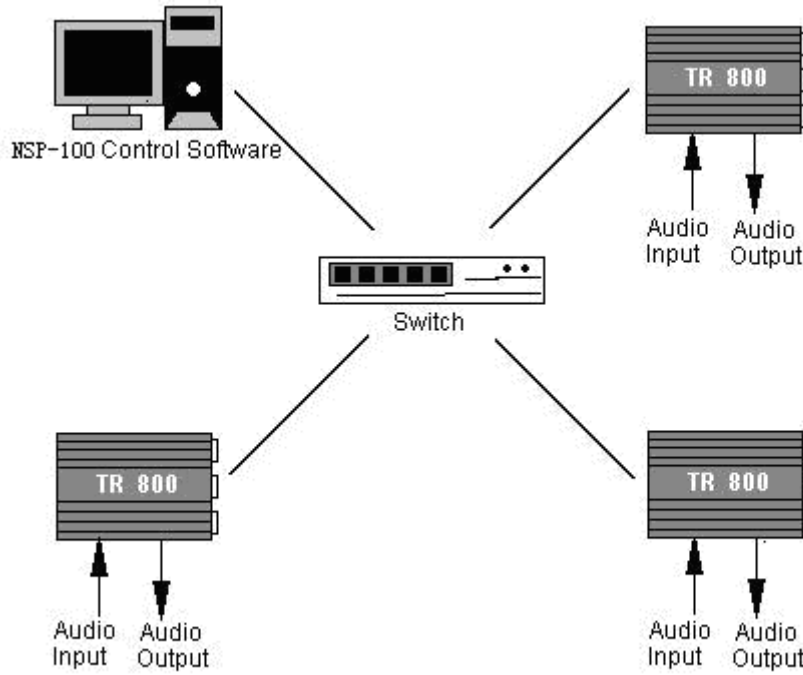
(2)—**RS232 & GPIO port**

(3)—**Power port**

## APPLICATION

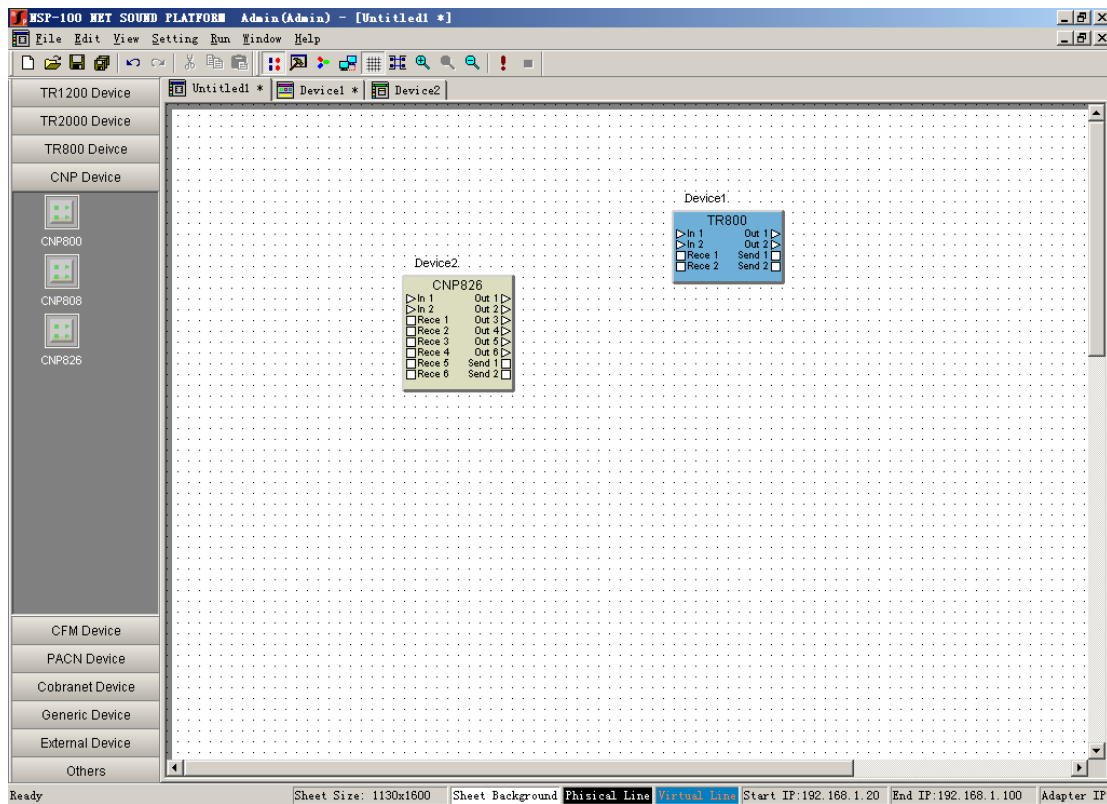
### HARDWARE OPERATION

Connect audios signal to TR800'S input /output port. And connect all TR800 devices through switches with the CAT-5 cable.

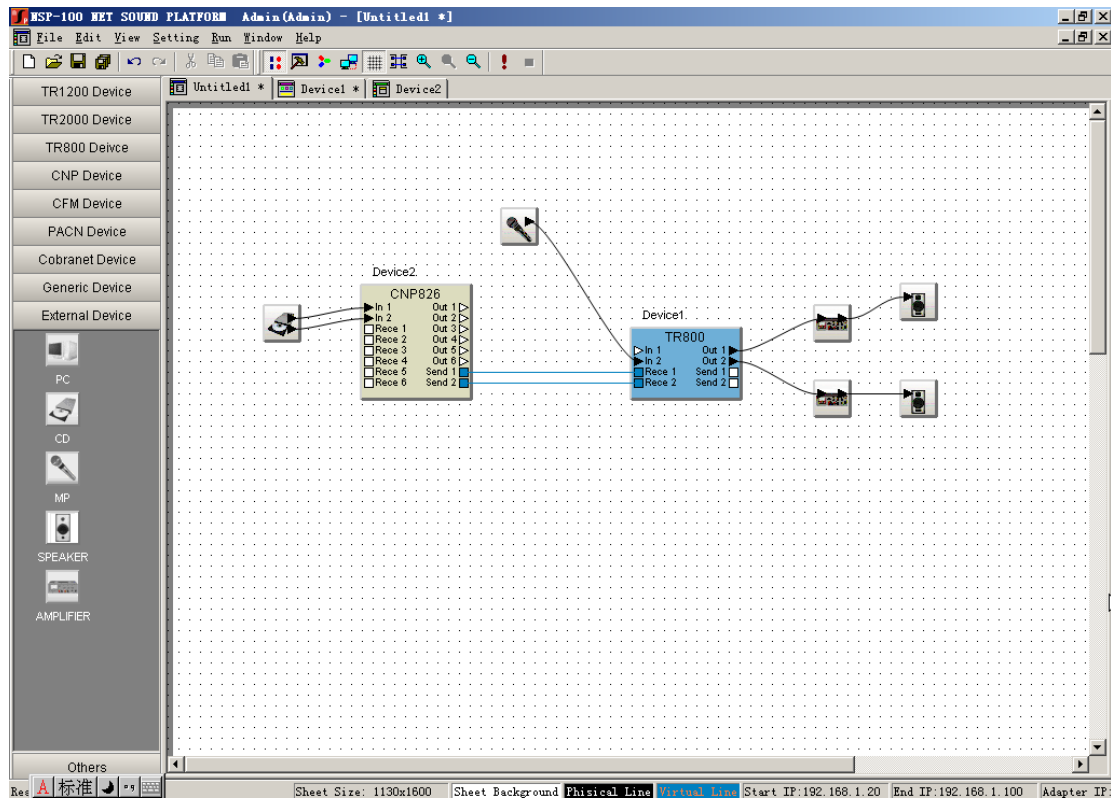


TR800 system

**SOFTWARE OPERATION**



Use the NSP-100 to configure the audio route and DSP parameters. (Please refer to software NSP-100 software manual)



## TECHNICAL SPECIFICATIONS

### ANALOG AUDIO SPECIFICATION

- Sample rate: 24-bit ,48khz
- frequency response +/-0.5dB, 20Hz~20kHz
- THD plus noise : <0.05% @1KHz, maximum level
- Maximum input level: 0dBu,14dBu,21dBu, balanced differential
- Input impedance: >1.4 kOhms
- Maximum output level: >0dBu,balanced differential
- Output impedance: 100 Ohms

### OTHER SPECIFICATION

- Power supply:DC+10V to 48V / PoE
- Power consumption: less than 20W
- Device dimension(L×W×H): 156×148×36 (unit: mm)
- Surrounding temperature : +5-40°C