

# SSCN-3

## Sound Smart CN-Module instruction

General Agent of China:  
Hangzhou Linker Digital Technology  
CO.,Ltd  
17F Jinjiang Building, South Hushu Road,  
Hangzhou, China  
Telephone: 0571-88392278,88392733  
Email: [Link@hzlh.com](mailto:Link@hzlh.com)

# SSCN-3

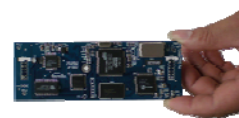
## Sound Smart CN-Module

SSCN-3 is a network audio processing module, designed to build in the power amplifiers and active speakers for the Cobranet connector and the centralized management. The power amplifier and active speaker would have more functions after installed the SSCN-3 module:

- Cobranet connector
- Powerful DSP processing function
- Centralized management through the net work



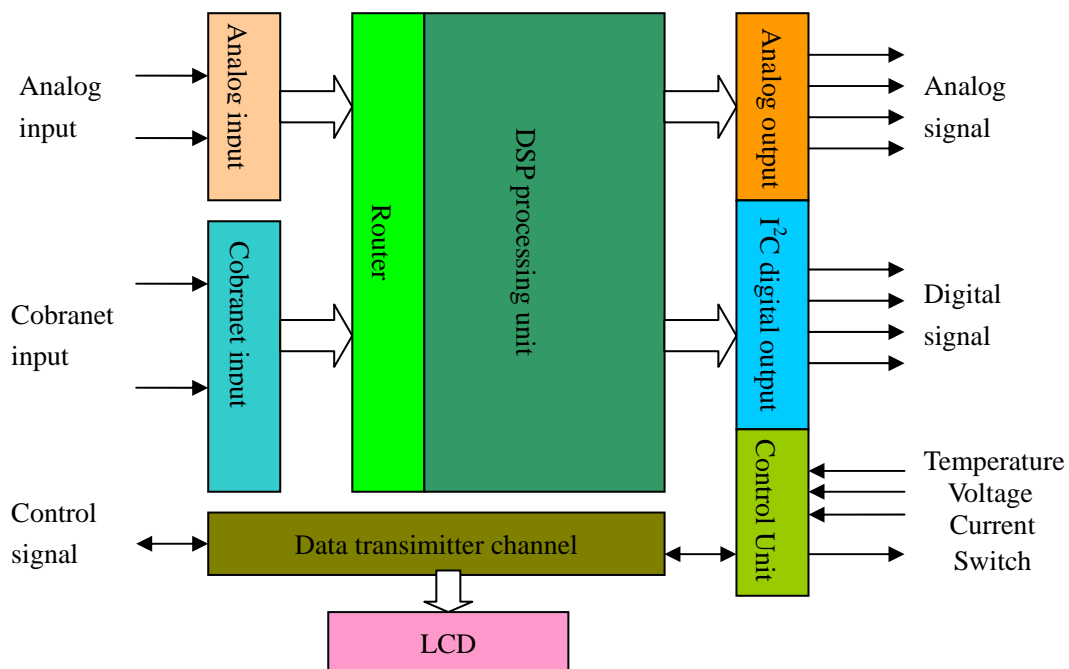
SSCN-3 module



SSCN-3 PCM digital stream output module

### 1、SSCN module instruction

SSCN-3 combines by CobraNet unit、DSP unit、analog input/output unit and the detect unit. User could select the function according their different application.



Including:

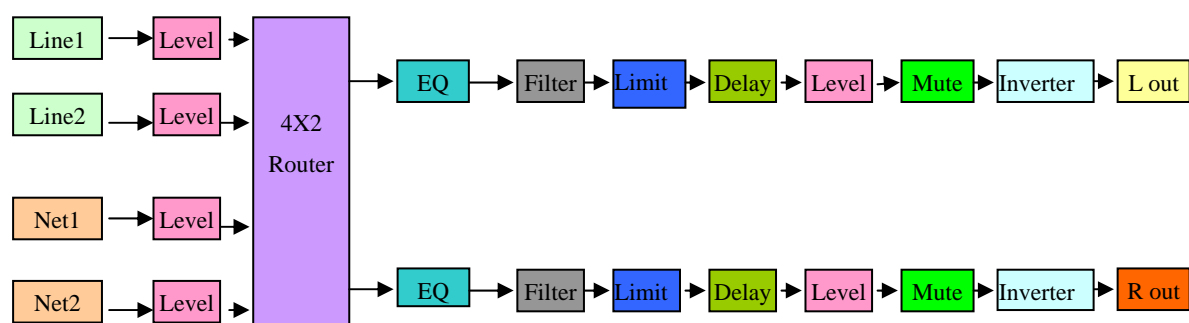
- ◆ 2 analog audio signal input channels(one stereo channel);
- ◆ 2 Cobranet audio signal input channels(one stereo channel);
- ◆ 2 analog audio signal output channels(one channel stereo), could customize by request;
- ◆ Support PCM digital stream audio output;
- ◆ Open data transmit channels
- ◆ Detect the analog and TTL control input

## 2、Features

- Small dimension, could be easily installed into the power amplifier and active speaker.
- Discrete unit, suitable for many different applications.
- **Powerful DSP function, including routers, levelers, meters, filters, EQ, compressor, delays, mute, phase inverter, etc.**
- Standard Cobranet connector, could build the network audio system with other Cobranet device.
- 2 analog input channels and 2 analog output channels, more output channels could be
- Maximum 8 channels analog control input and 4 channels TTL input, could be used detect the parameters as voltage, current, temperature etc., and also could remote control the Power ON/OFF through the network.
- RS232/RS485 can connect to external device for data communication, the functions and parameters could be controled and monitored via RS232 and the network.
- The graphic management software could be customized.
- The dimension could be customized by request.

## 3、DSP structure

SSCN-3 has powerful DSP audio processing function, the processing structure and flow is showing below, it could be defined and adjusted according user's request.



## 4、 Remote management

The SSCN-3 management software could manage and monitor hundreds of the devices that have installed the SSCN-3 module. Through the network, it could switch the input line, control and supervise the signal level, detect the device's work status, remote control the power ON/OFF, and also it could online configure the DSP parameters.



## 5、 Technical specification

Analog audio signal	Maximum input/output level +18dBu	Network standard	Cobranet
Analog input output	Input 2 channels, maximum output 8 channels	Digital stream output	PCM digital stream
Frequency response	20-20KHz -0.2dB	Digital collection	Maximum 4 channels, CMOS/TTL
THD+N	0.02%	Analog collection	Maximum 8 channels, resolution 10bit
Dynamic	118dB	Control port	Maximum 4 channels, CMOS/TTL
Digital audio signal	24/20bit ,48khz,	RS232	CMOS/TTL
Dimension	100X70mm	Power connector	+5VDC, ±12VDC

## 6、 Dimension and Connector define

### (1) .Dimension

100 (L) x70 (W) x25 (H) mm Note: The height of the using space should larger than 30mm.

